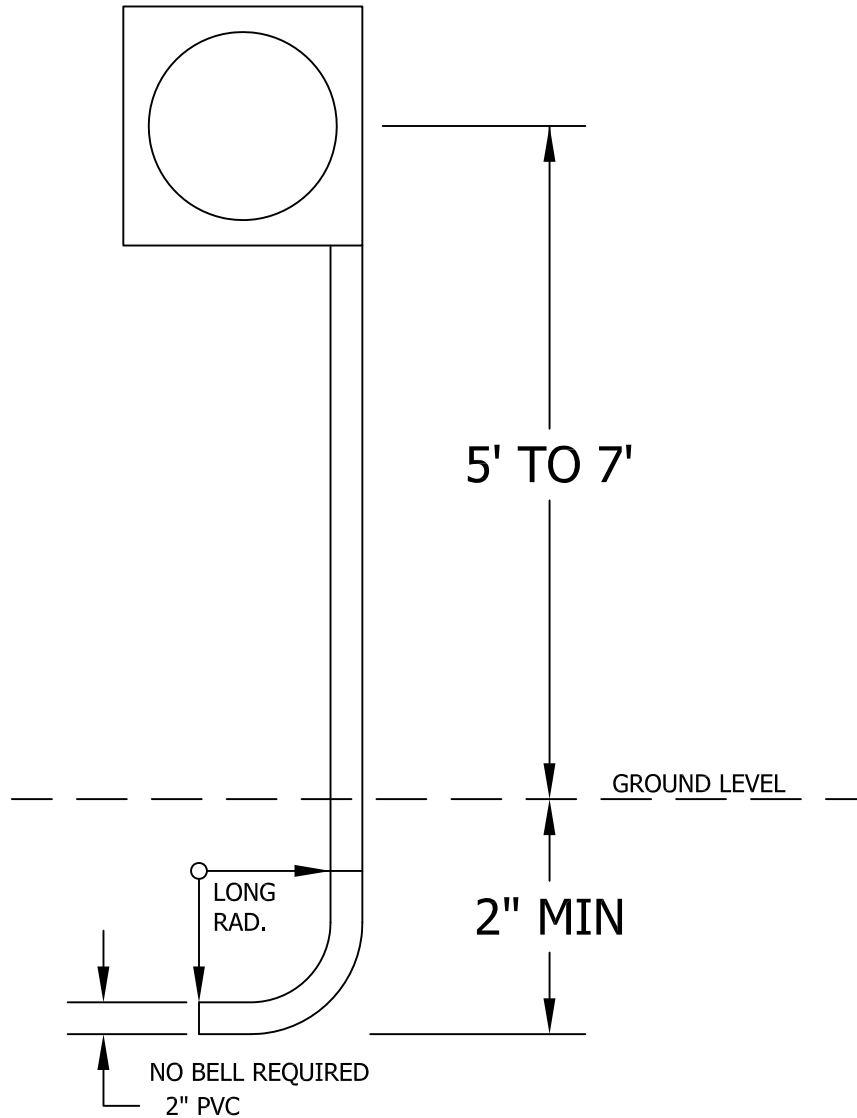


200 AMP UG METER



200 AMP RESIDENTIAL

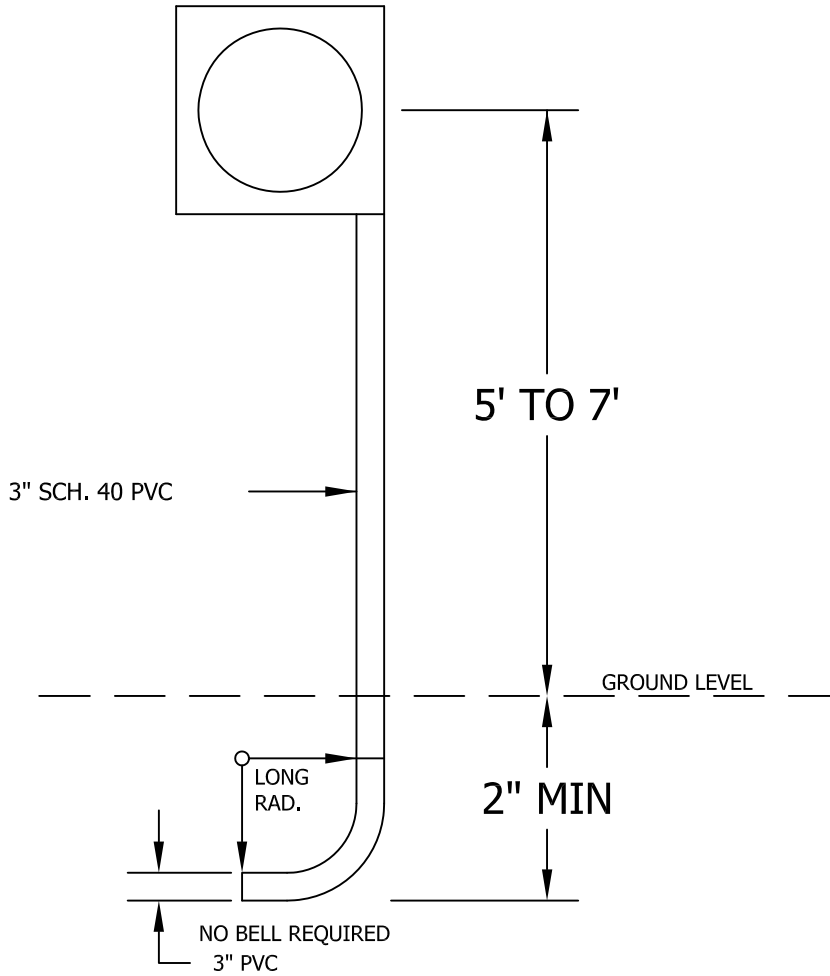
NO.	REVISION DESCRIPTION	PREP'D BY	DATE	APPROVED
0	updated	tmc		

200 AMP
UNDERGROUND METER

CITY OF BLAINE PUBLIC WORKS DEPARTMENT			
SIZE A	PREV. DWG NO.	PUBLIC WORKS DRAWING NUMBER 6-1	
SCALE NONE	SHEET	OF	REV. NO.



CLASS 320 UG METER



400 AMP RESIDENTIAL

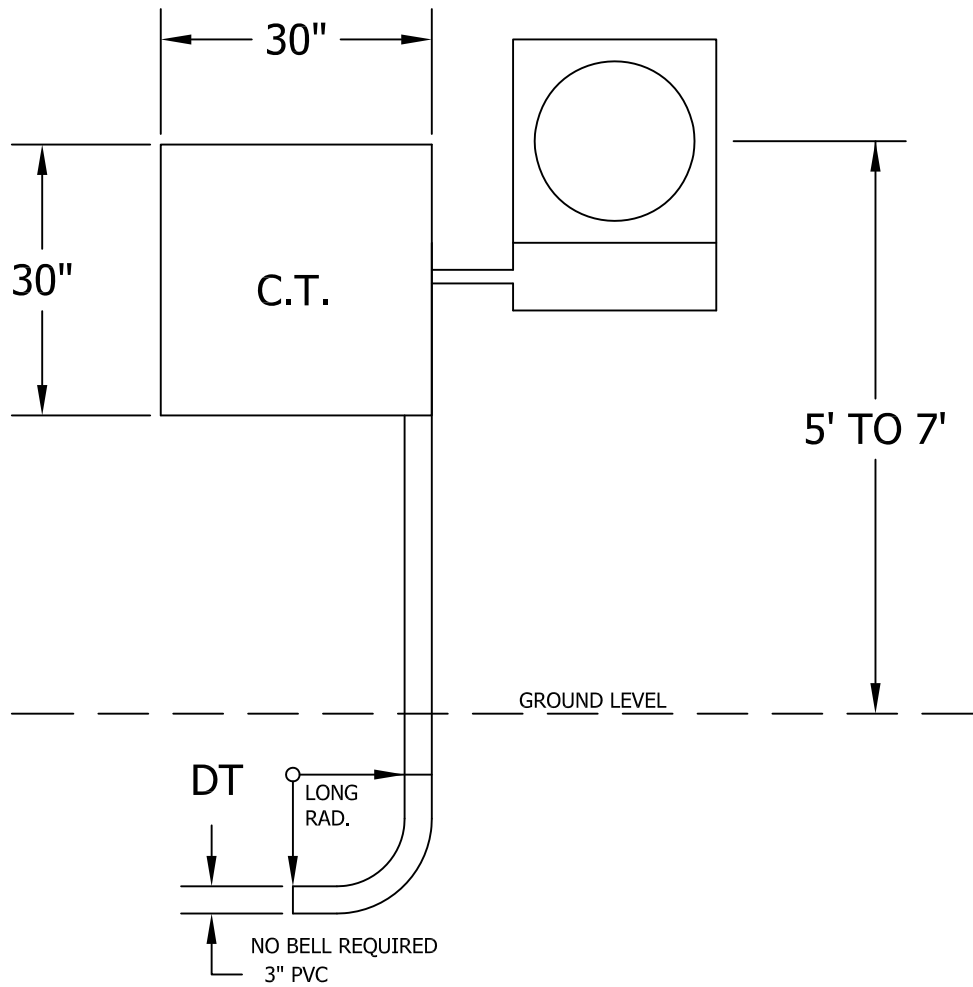
NO.	REVISION DESCRIPTION	PREP'D BY	DATE	APPROVED
0	updated	tmc		

**CLASS 320
UNDERGROUND METER**

CITY OF BLAINE PUBLIC WORKS DEPARTMENT			
SIZE A	PREV. DWG NO.	PUBLIC WORKS DRAWING NUMBER 6-2	
SCALE <i>NONE</i>	SHEET	OF	REV. NO.



6 TERM. SOCKET W/TEST BLOCK



400-600 AMP RESIDENTIAL

0	updated	tmc		
NO.	REVISION DESCRIPTION	PREP'D BY	DATE	APPROVED

6 TERM. SOCKET WITH TEST BLOCK

CITY OF BLAINE PUBLIC WORKS DEPARTMENT			
SIZE A	PREV. DWG NO.	PUBLIC WORKS DRAWING NUMBER 6-3	
SCALE NONE	SHEET	OF	REV. NO.

